



TELEDYNE HASTINGS INSTRUMENTS

MODELS

DV-4, DV-5, DV-6
DV-23, DV-24

FEATURES

- Rugged Construction
- Non-Contaminating
- Color Coded

APPLICATIONS

- Refrigerator
- Cryogenics / Vacuum Insulator
- Air Conditioning
- Freeze Drying
- Transformer Oil Refill
- Pharmaceutical

BENEFITS

- Reliable
- Repeatable
- Stable Calibration

DESCRIPTION

Teledyne Hastings Thermocouple Gauge Tubes/Sensors are precision sensing devices designed to provide accurate measurement and control of vacuum. Fully compensated for both temperature and rate of temperature change, the tubes are renowned worldwide for their dependability, and boast a history of success that has endured for over 60 years.

THI Thermocouple Gauge Tubes/Sensors use the rugged but sensitive, time-tested THI thermopile sensor. Short, firmly connected thermocouples have no suspended weld to an external heater.

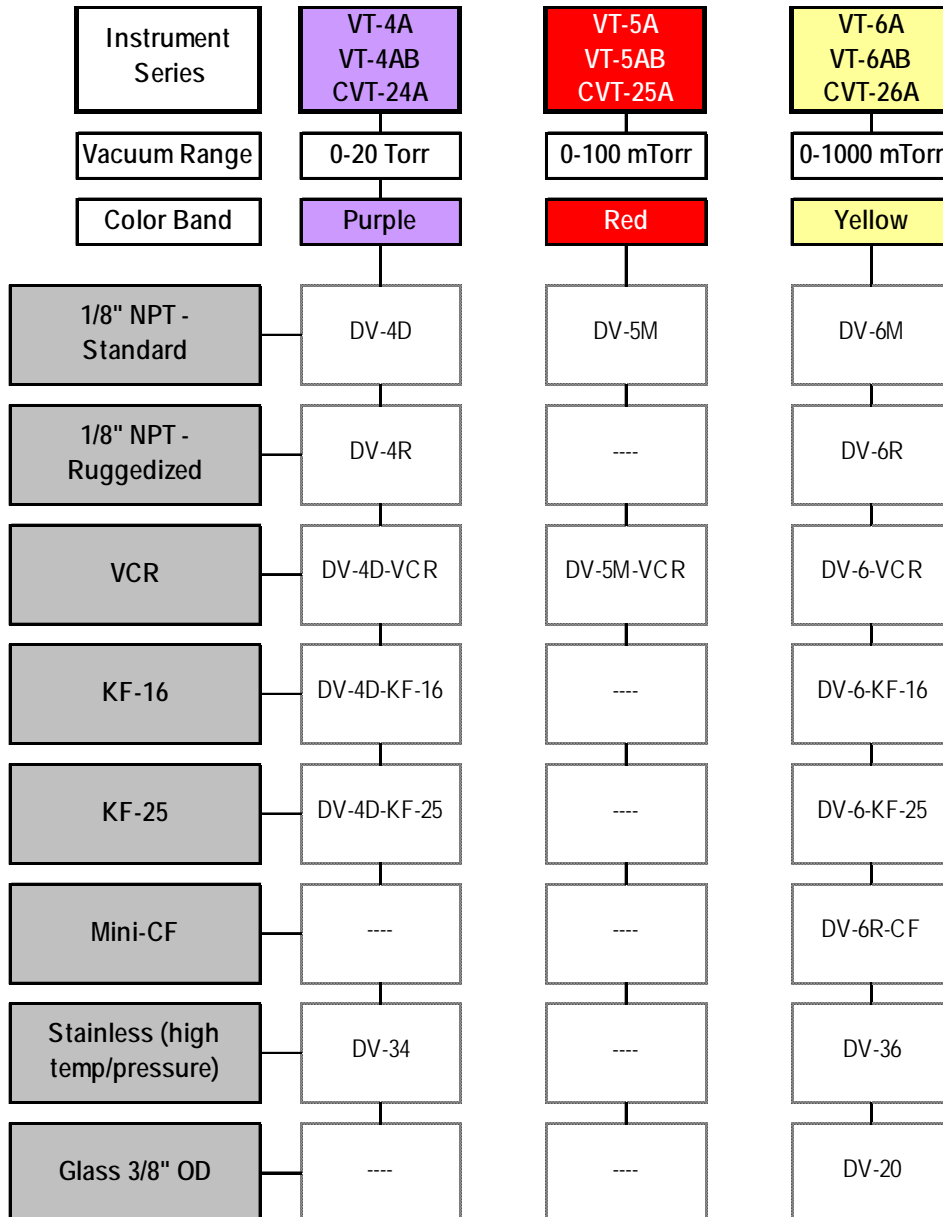
Proprietary tooling and process control improvements offer extended service life for these gauge tubes/sensors.

Thermocouple Vacuum Gauge Tubes/Sensors



Selection Chart

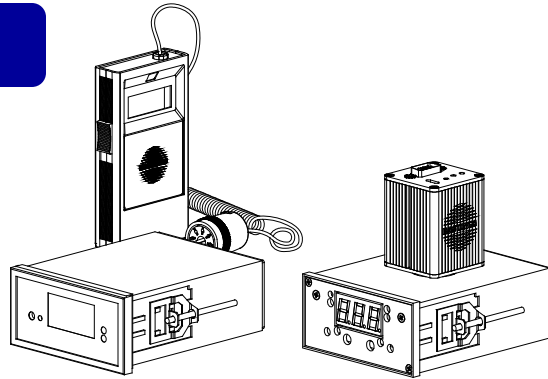
Gauge tube available with fittings not listed, contact factory.



Note: Color band is not used on all tubes.

For proper accuracy and performance THI Vacuum Gauges should always be used with the proper range of THI Vacuum Gauge Tubes.

Selection Chart

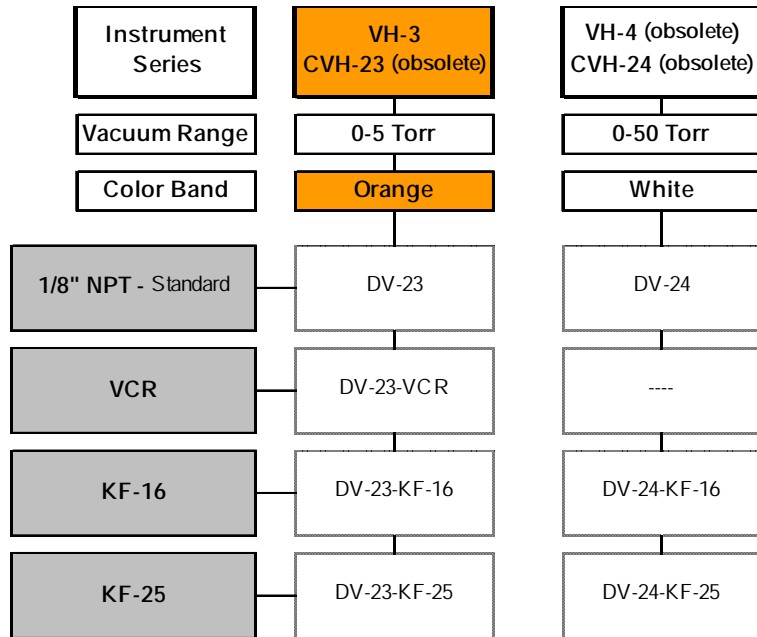


Instrument Series	Digital VT-4 Digital CVT-4 Digital AVC-4 HPM 4/6	Digital VT-6 Digital CVT-6 Digital AVC-6 HPM 4/6
Vacuum Range	0-20 Torr	0-1000 mTorr
Color Band	Purple	Yellow
1/8" NPT - Standard	DV-4D	DV-6M
1/8" NPT - Ruggedized	DV-4R	DV-6R
VCR	DV-4D-VCR	DV-6-VCR
KF-16	DV-4D-KF-16	DV-6-KF-16
KF-25	DV-4D-KF-25	DV-6-KF-25
Mini-CF	----	DV-6R-CF
Stainless (high temp/pressure)	DV-34 (Adapter-Cable Reqd)	DV-36 (Adapter-Cable Reqd)
Robust W/Protective Cup	----	DV-6S

Note: Color band is not used on all tubes.

For proper accuracy and performance THI Vacuum Gauges should always be used with the proper range of THI Vacuum Gauge Tubes.

Selection Chart

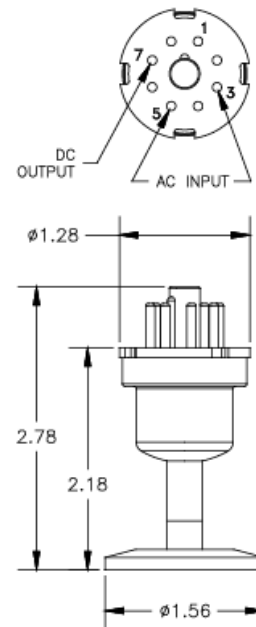
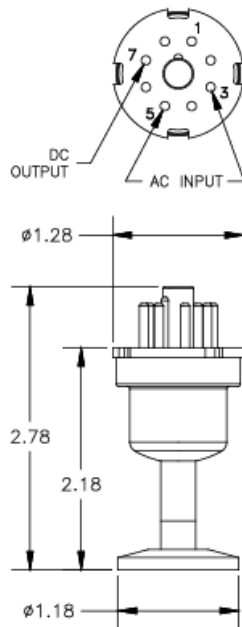
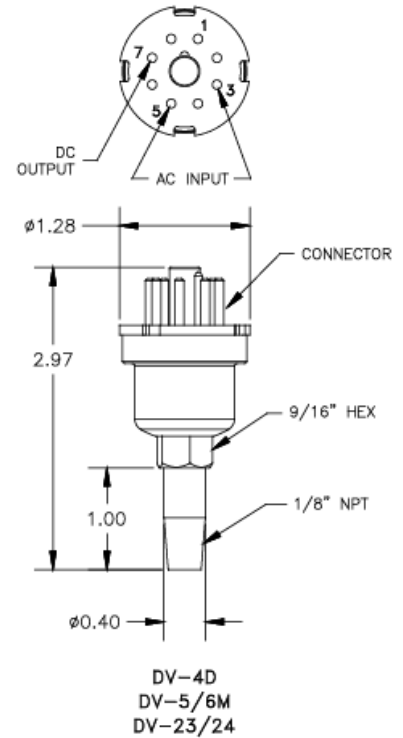
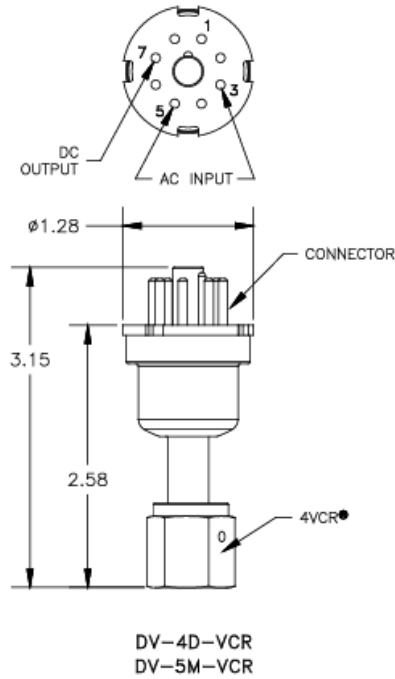


Note: Color band is not used on all tubes.

For proper accuracy and performance
 THI Vacuum Gauges should always be used
 with the proper range of THI Vacuum Gauge Tubes.

Standard Gauge Tube

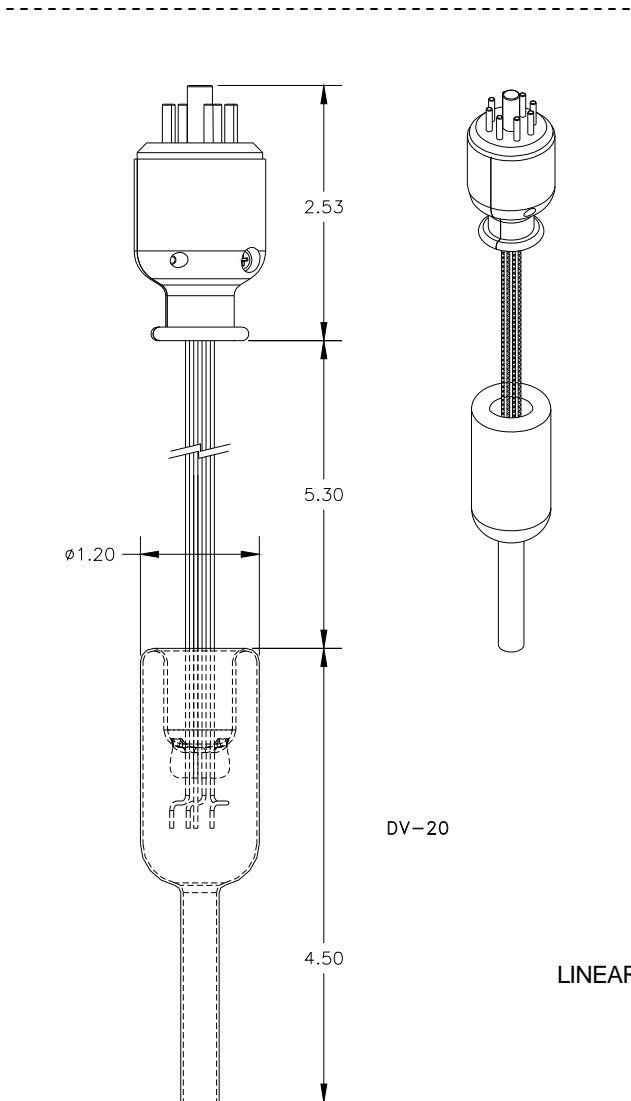
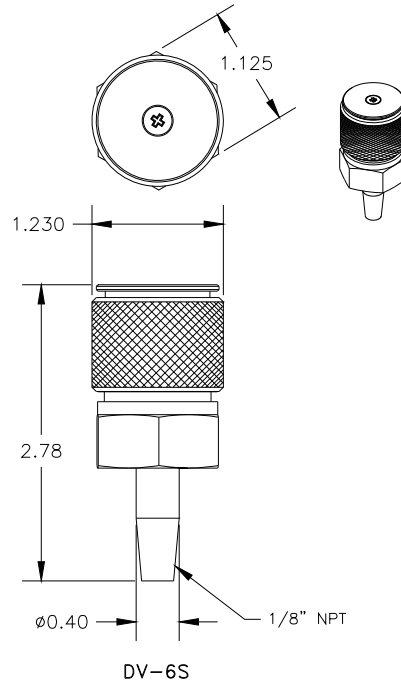
- Hermetically Sealed base with glass.
- Stainless Steel and Nickel Plated components.
- Color coded label
- Max Temp: 100°C
- Max Press: 150psig



LINEAR DIMENSIONS
(TYP)

DV-6S, Weather Proof Outdoor

- DV-6 Thermocouple
- 0-1000mTorr
- Rugged Construction
- Includes Protective Cap



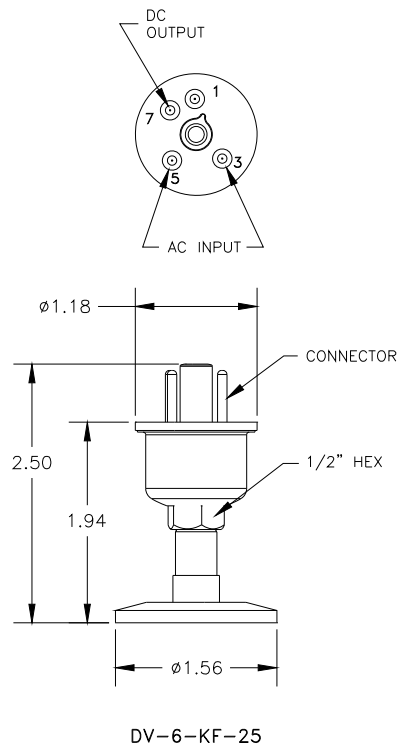
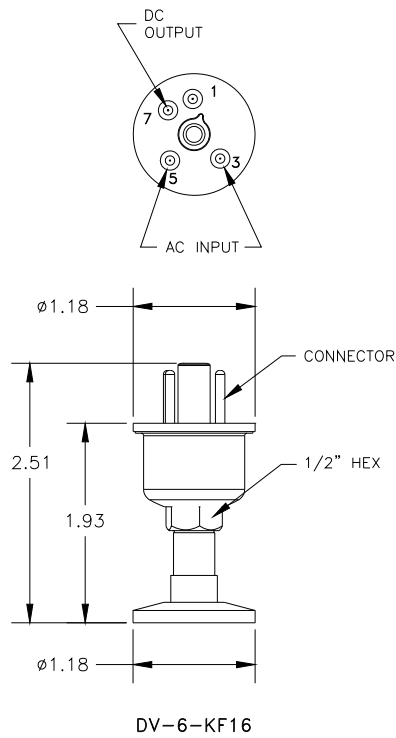
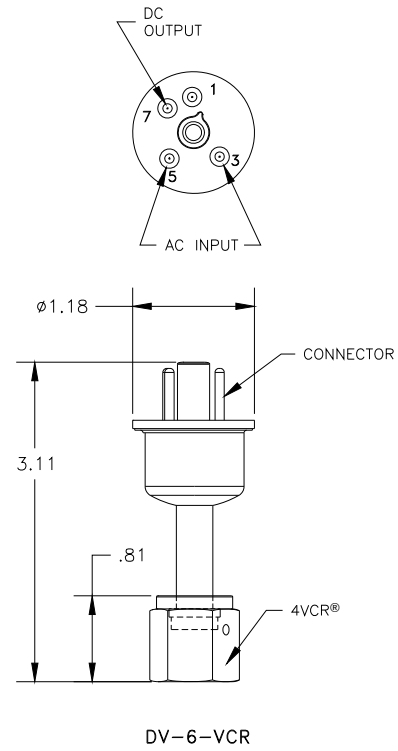
Glass Gauge Tube

- Constructed of Corning #7052 type glass or equivalent

LINEAR DIMENSIONS
(TYP)

RoHS Gauge Tube

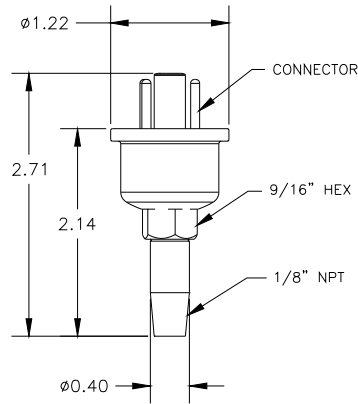
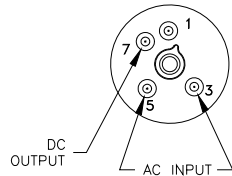
- Stainless Steel
- All welded
- No Plastic
- No Braze
- Color coded label
- Max Press: 400psig



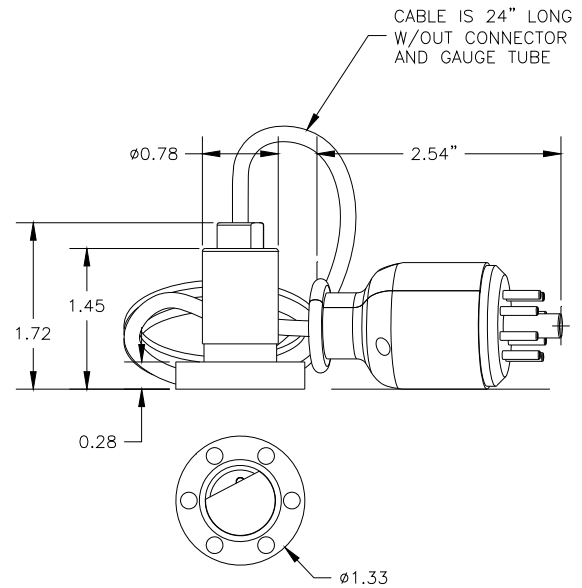
LINEAR DIMENSIONS
(TYP)

Ruggedized Gauge Tube

- Hermetically Sealed base with glass.
- Stainless Steel and Nickel Plated components.
- Color coded label
- Max Temp: 150°C
- Max Press: 400psig



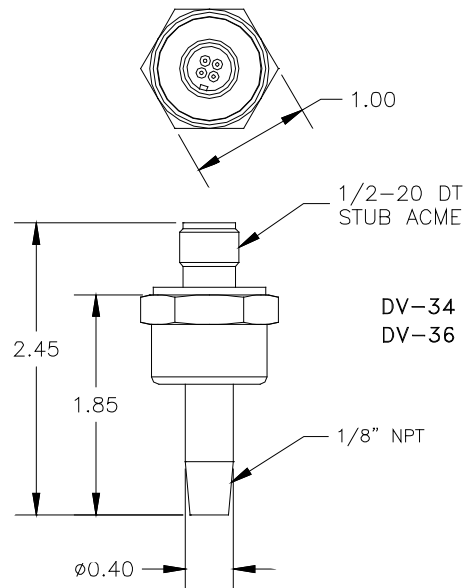
DV-4R
DV-6R



DV-6R-CF

Stainless Steel Gauge Tube

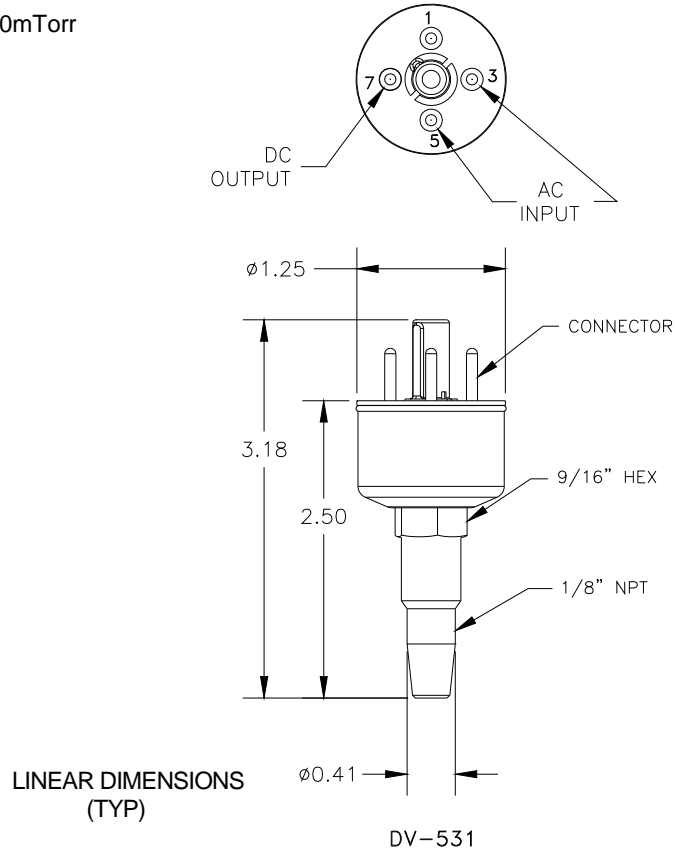
- Stainless Steel
- Corrosion Resistant which can withstand high temperatures and high pressures
- Max Temp: 150°C
- Max Press: 400psig



DV-34
DV-36

Varian DV-531

- Range: 0-2000mTorr



Teledyne Hastings; Specialties in custom sensor solutions, our design services, machine shop and welding facilities can quickly generate specialized solutions for all vacuum gauging.

HOW MAY WE HELP YOU?